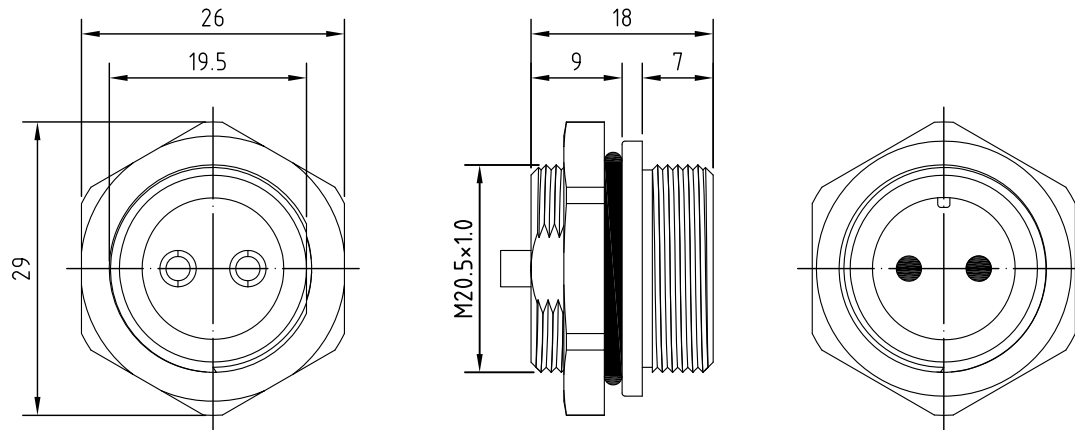


Recommended Panel cut-out



REV.	Description	Date
1	upgrade drawing	2014/3/26
2	add 19P arrangement	2016/3/17
3	add recommended panel cut-out	2018/4/16
4	rated current revise	2018/10/5
5	panel cut-out dimension revise	2020/9/16

Specification of connector

Locking system : screw M20.5
 Termination : solder
 Shell protection : IP68
 Contact resistance : $\leq 5m\Omega$
 Insulation resistance : $\geq 10M\Omega$

RoHS
 TOLERANCE X \pm 0.5 .X \pm 0.3

4	Nut	PA
3	O ring	Rubber
2	Pin	Brass/Gold plated
1	Body	PA
Item	Description	Material&Plating

CONTACT ARRANGEMENT FRONT VIEW (MALE)	2P	3P	4P	5P	6P	7P	8P	2+8(10)P	3+6(9)P	19P
Rated voltage	360V		250V		125V	125V		60V		60V
Rated current	25A		15A		10A		25A/5A		5A	



Unicable Co., Ltd. 國陽電業有限公司
 5F., No. 111-33, Sec. 4, San Ho Road., San Chung Dist., New Taipei City, Taiwan
<http://www.unicable.com.tw> Tel:+886-2-2286-2122 Fax:+886-2-2286-1010

DATE	2020/9/16	PART NO.	UT-SD264F2-XP
DWN	GINA	REV.	5
CHK			
UNIT	MM		

ITEM	Sensor Connector M20.5
------	------------------------